

Nomenclature des pièces détachées / Exploded view

JØTUL PC 801

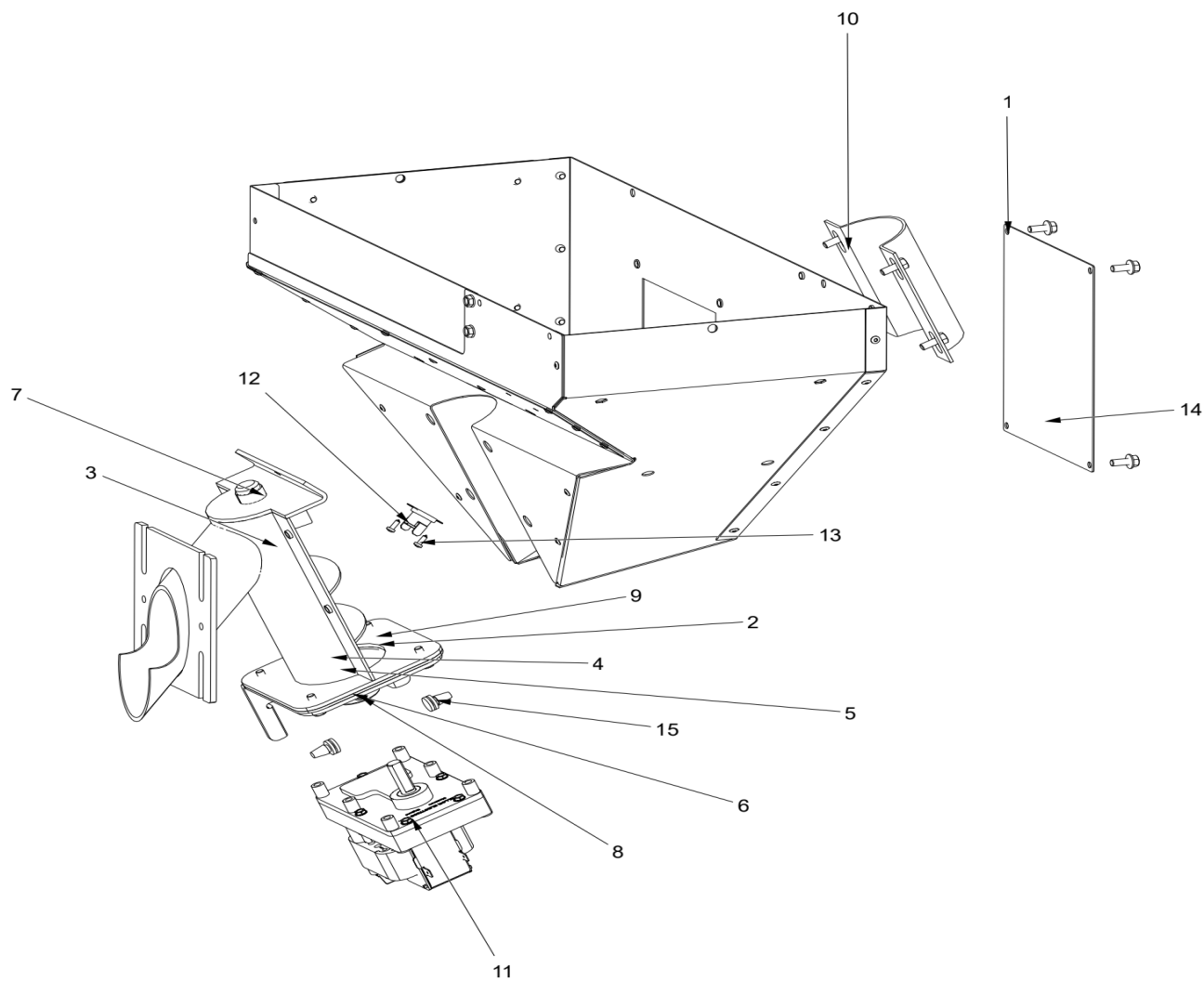


N°	CODICE	DESCRIZIONE IT	DESCRIZIONE EN
0	03B00069A	ASSIEME PORTA	DOOR ASSEMBLY
1	70B00055N	VETRO PIANO CERAMICO SERIGRAFATO 660X360X4 JOTUL	SCREEN-PRINTED CERAMIC FLAT GLASS 660X360X4 JOTUL
2	44061-R	TRECCIA TRICOVET GRIGIA D.16	GREY TRICOVET BRAID D.16
2	44061-R1	TRECCIA TRICOVET GRIGIA D.16	GREY TRICOVET BRAID D.16
3	NE1126	DADO M5 UNI5588 ZN BIANCO	NUT M5 UNI5588 ZN WHITE
4	PNVV00005	VITE AUTOF. TEFL M4x8 ZN NERA	SELF-TAPPING SCREW TEFL M4x8 ZN BLACK
5	44064-R	GUARNIZIONE BLACK TEX NERA 8x3 ADESIVA	BLACK TEX SEAL BLACK 8x3 ADHESIVE
5	44064-R1	GUARNIZIONE BLACK TEX NERA 8x3 ADESIVA	BLACK TEX SEAL BLACK 8x3 ADHESIVE

Nomenclature des pièces détachées / Exploded view

JØTUL PC 801





Nomenclature des pièces détachées / Exploded view

JØTUL PC 801

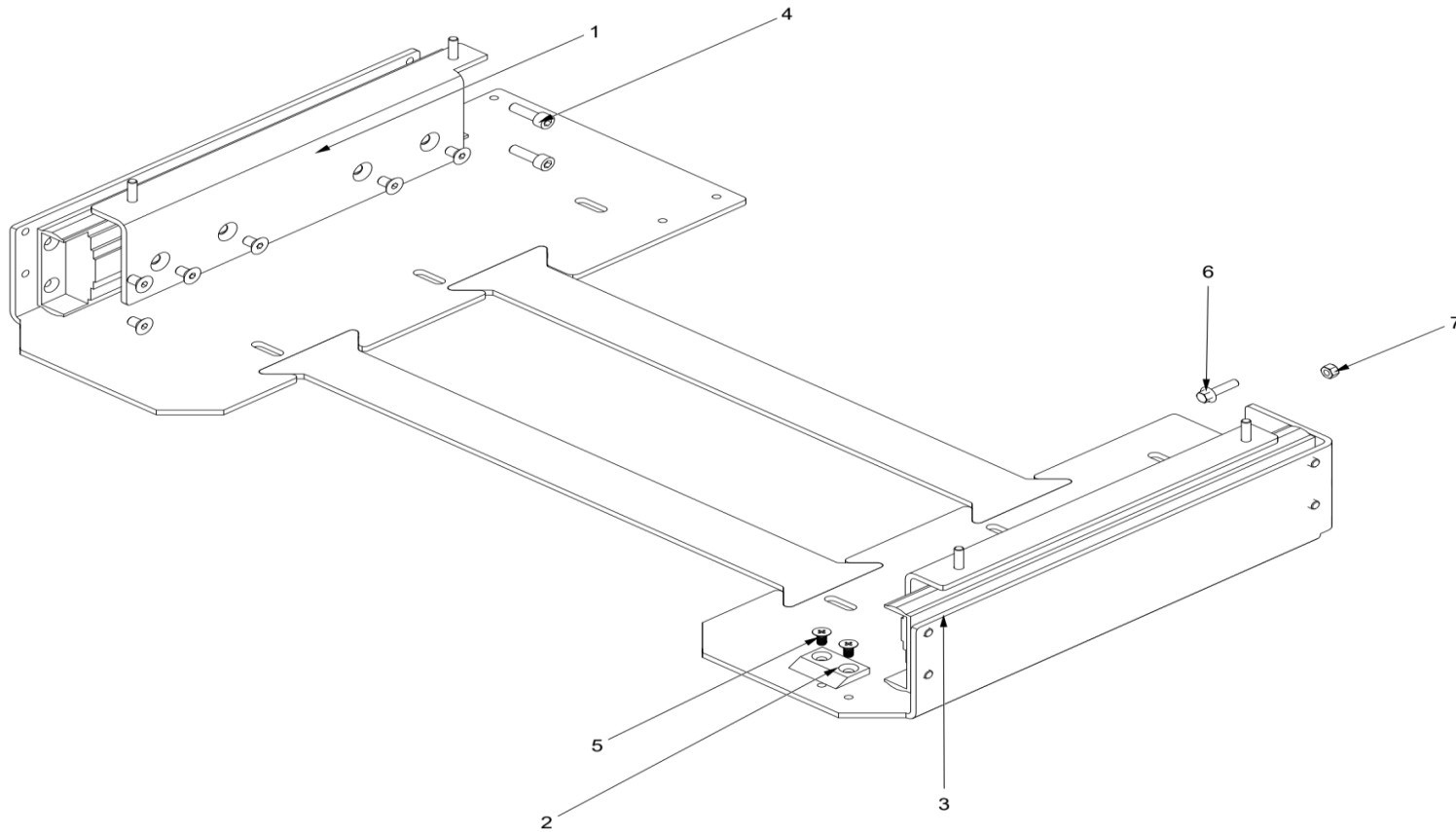


N°	CODICE	DESCRIZIONE IT	DESCRIZIONE EN
0	08X00127A	ASSIEME TRAMOGGIA E CARICAMENTO PELLETTA	HOPPER ASSEMBLY AND PELLETTA LOADING
1	2700-00-031	ISPEZIONE TRAMOGGIA	HOPPER INSPECTION
2	C10-13-001S-BLK	ASS.STRUTTURA FISS.COCLEA VERN	PAINT AUGER FIX.STRUCTURE ASSEMB.
3	C10-05-001S	ASSIEME COCLEA	AUGER ASSEMBLY
4	44000	GOMMA DISTANZIALE	SPACER RUBBER
5	070-13-008N	PIASTRA MOTORIDUTTORE	GEARMOTOR PLATE
6	66139	BUSSOLA MOTORIDUTTORE	GEARMOTOR BUSH
7	66094	BOCCOLA HIMON TFF 161812 MUEO	HIMON BUSHING TFF 161812 MUEO
8	NE1066	GRANO PUNTA CONICA 45° 8X16 UNI 5927	CONICAL TIP GRAIN 45° 8X16 UNI 5927
9	NE1236	VITE AUTOFORMANTE TE FL. M5x12 FOSFATATA NERA DIN7	SELF-TAPPING HEX HEAD SCREW FL. M5x12 PHOSPHATED BL
10	C10-05-002N	CAMICIA	JACKET
11	PNEG00012	MOTORIDUTTORE 2rpm CW - 230V 50Hz con sensore di HAL	GEARMOTOR 2rpm CW - 230V 50Hz with HALL sensor
12	PNEH00009	TERMOSTATO CAMPINI Ty60-A T 100°C RIARMO AUT.	CAMPINI THERMOSTAT Ty60-A T 100°C AUTOMATIC RESET
13	NE1079	VITE AUTOFILET.3.9X9,5 DIN7981	SELF-TAPPING SCREW 3.9X9.5 DIN7981
14	NE1236	VITE AUTOFORMANTE TE FL. M5x12 FOSFATATA NERA DIN7	SELF-TAPPING HEX HEAD SCREW FL. M5x12 PHOSPHATED BL
15	66140	GOMMINO PARACOLPI 2 ANELLI	SHOCK ABSORBER RUBBER 2 RINGS

Nomenclature des pièces détachées / Exploded view

JØTUL PC 801





Nomenclature des pièces détachées / Exploded view

JØTUL PC 801

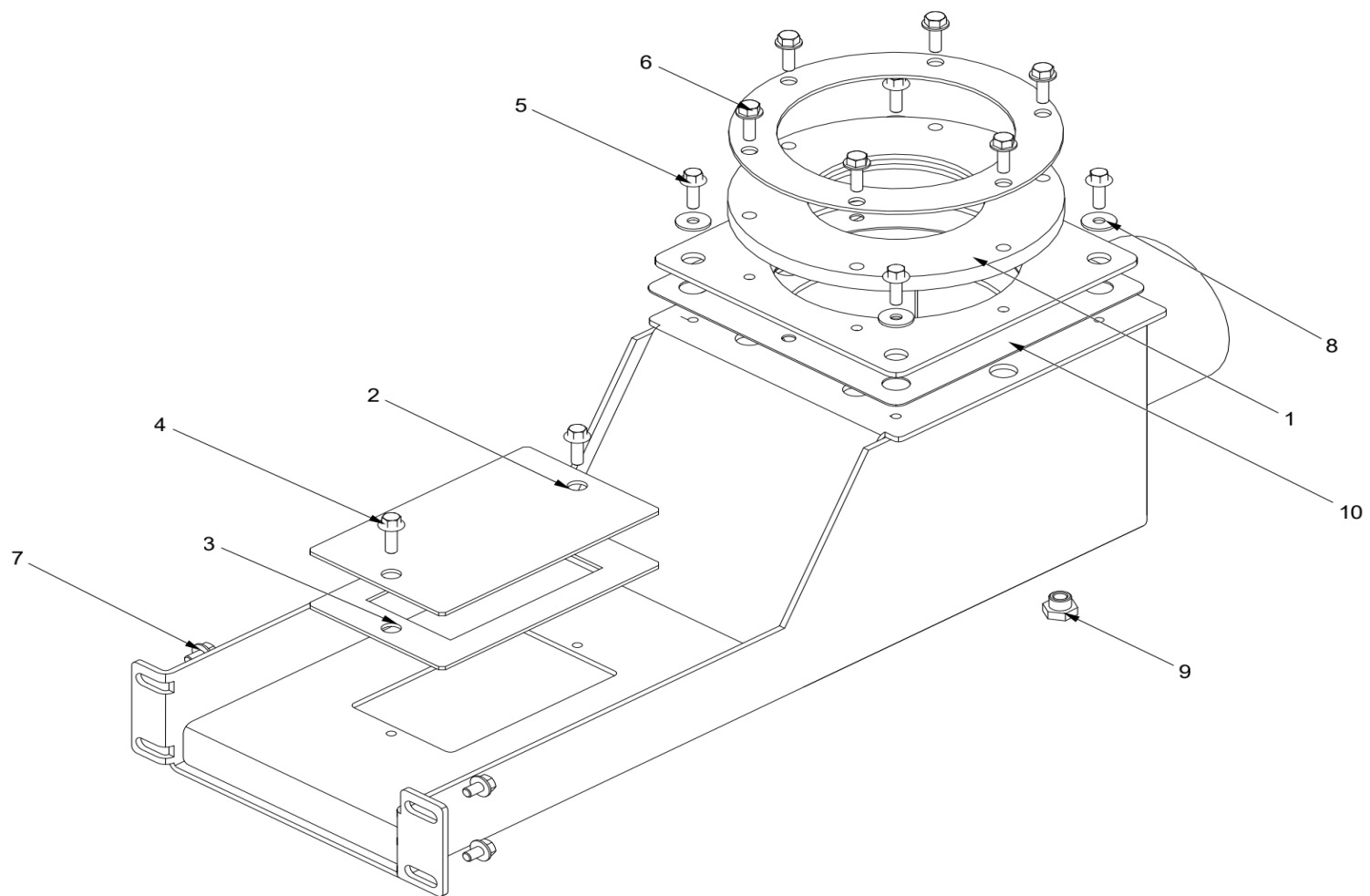


N°	CODICE	DESCRIZIONE IT	DESCRIZIONE EN
0	11A00014A	BASAMENTO	BASEMENT
1	C10-11-030N	GUIDA TEL.NADELLA RA554R L.300	TEL. GUIDE NADELLA RA554R L.300
2	C10-11-039N	BLOCCHETTO SBLOCCO PISTONCINO	PLUNGER RELEASE BLOCK
3	NE1069	VITE SV.EI PIANA M6X10 UNI5933	FLAT COUNTERSUNK HEX HEAD SCREW M6X10 UNI5933
4	NE1014	VITE TCEI M6X20	HEXAGON SOCKET HEAD CAP SCREW M6X20
5	NE1252	VITE AUTOFORMANTE SV.INC.CR PIANA M5X10 ZINC. NERA DIN7	FLAT CROSS SELF-TAPPING COUNTERSUNK SCREW M5X10 GALVANISED BLA
6	NE1028	VITE TE FL. M5X20 DIN 6921	HEX HEAD SCREW FL. M5X20 DIN 6921
7	NE1076	DADO ALTO CL.8 M5 UNI 5587	HIGH NUT CL.8 M5 UNI 5587

Nomenclature des pièces détachées / Exploded view

JØTUL PC 801





Nomenclature des pièces détachées / Exploded view

JØTUL PC 801

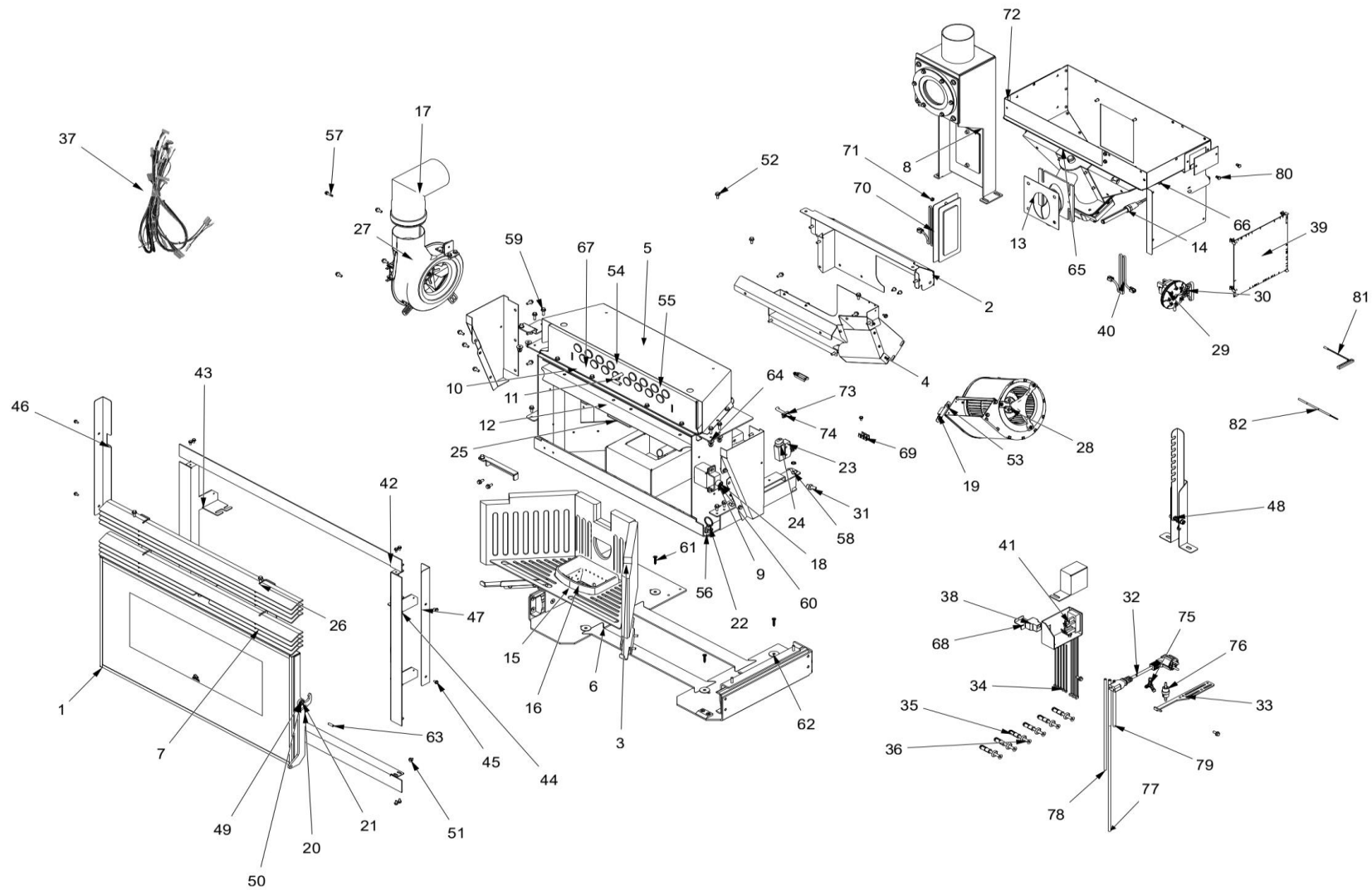


N°	CODICE	DESCRIZIONE IT	DESCRIZIONE EN
0	30X00001A	ASSIEME SCARICO FUMI ASSEMBLATO	ASSEMBLED SMOKE EXHAUST ASSEMBLY
1	2700-00-061	GUARNIZIONE	GASKET
2	100-11-045N	TAPPO	CUP
3	100-11-046N	GUARN CARTA SILCAWOOL SP.5	SILCAWOOL PAPER GASKET TH.5
4	NE1023	VITE TE FL. M5X16 DIN 6921	HEX HEAD SCREW FL. M5X16 DIN 6921
5	NE1023	VITE TE FL. M5X16 DIN 6921	HEX HEAD SCREW FL. M5X16 DIN 6921
6	NE1375	VITE AUTOFORMANTE TE TF M5X16	SELF-TAPPING HEX HEAD SCREW TF M5X16
7	NE1232	VITE AUTOFORMANTE TE TF.M5X8	SELF-TAPPING HEX HEAD SCREW TF.M5X8
8	NE1124	ROND.PIANA 5X15 UNI 6593	FLAT WASHER 5X15 UNI 6593
9	66157	RACCORDO ACCESSORIO 2611 1/8	ACCESSORY FITTING 2611 1/8
10	40A00112N	GUARNIZIONE	GASKET

Nomenclature des pièces détachées / Exploded view

JØTUL PC 801





Nomenclature des pièces détachées / Exploded view

JØTUL PC 801



N°	CODICE	DESCRIZIONE IT	DESCRIZIONE EN
0	50029EJ00_C	PC 801	PC 801
1	03B00069A	ASSIEME PORTA	DOOR ASSEMBLY
2	NE1003	RIVET.STRAP.AL/AC 4X8 DIN7337L	RIVET.STRAP.AL/AC 4X8 DIN7337L
3	C10-14-001A	KIT VERMICULITE R1000	VERMICULITE KIT R1000
4	NE1003	RIVET.STRAP.AL/AC 4X8 DIN7337L	RIVET.STRAP.AL/AC 4X8 DIN7337L
5	C10-60-001A-BLK	ASSIEME SCAMBIATORE VERNICIATO	PAINTED EXCHANGER ASSEMBLY
6	11A00014A	BASAMENTO	BASEMENT
7	10E00028S-BLK	GRIGLIA FRONTALE	FRONT GRID
8	30X00001A	ASSIEME SCARICO FUMI ASSEMBLATO	ASSEMBLED SMOKE EXHAUST ASSEMBLY
9	66018	BUSSOLA MANIGLIA	HANDLE BUSH
10	C10-00-016N	GUARN CARTA SILCAWOOL(CER ECO)	SILCAWOOL PAPER GASKET(CER ECO)
11	071-66-008N	ASTA RASCHIATORE PIEGATA	BENT SCRAPER ROD
12	C10-00-007N-BLK	LAMIERA PULIZIA VERNIC.	PAINT. CLEANING SHEET METAL
13	070-11-010N	GUARN CARTA SILCAWOOL(CER ECO)	SILCAWOOL PAPER GASKET(CER ECO)
14	55537	CANDELETTA CERAM.PSX-6-B_240V	CERAM.IGNITER PSX-6-B_240V
15	C10-00-018N-BLK	GRIGLIA BRACERE BRUNITA	BURNISHED BRAZIER GRID
16	07B00012N	BRACERE IN GHISA	CAST IRON BRAZIER
17	5700-00-106	CURVA 90°	90° CURVE
18	66097	BUSSOLA FULCRO MANIGLIA	HANDLE FULCRUM BUSH
19	7800-18-202	GANCIO VENTOLA	FAN HOOK
20	06A00026N-BLK	MANIGLIA VERNICIATA	PAINTED HANDLE
21	5300-00-250	BUSSOLA MANIGLIA	HANDLE BUSH
22	C10-66-003N	PISTONCINO DI POSIZIONAMENTO	POSITIONING PLUNGER
23	55321	MICROINTERRUTTORE MK V11D09	MICROSWITCH MK V11D09
24	55325	PROTEZIONE COPRIMENT.VF MKCV12	PROTECTION COVER VF MKCV12
25	C10-00-015N	ALETTA TAGLIAFIAMMA	FLAME TRAP FLAP
26	10E00029S-BLK	GRIGLIA FRONTALE	FRONT GRID
27	PNEE00009	CAF15Y-156LS Estrattore fumi	CAF15Y-156LS Smoke extractor
28	PNEA00010	CAD12R-020 Ventilatore centrifugo	CAD12R-020 Centrifugal fan
29	PNEH00005	PRESSOSTATO HUBA CONTROL TYPE 605 - 10 Pa	HUBA CONTROL PRESSURE SWITCH TYPE 605 - 10 Pa
30	PNEB00002	CLIP PER PRESSOSTATO HUBA TYPE 605	CLIP FOR HUBA PRESSURE SWITCH TYPE 605

Nomenclature des pièces détachées / Exploded view

JØTUL PC 801



31	66088	RACCORDO TUBO PRESSOSTATO	PRESSURE SWITCH TUBE CONNECTION
32	PNEF00005	SPINA SCHUKO CONN.IEC DIRITTO H05RR-F 3x0,75x1200mm	STRAIGHT IEC CONN.SCHUKO PLUG H05RR-F 3x0.75x1200mm
33	23L00005N-BPK	ESTRATTORE JOTUL VERNICIATO	PAINTED JOTUL EXTRACTOR
34	44009	FASCETTA STRINGITUBO CV140K	HOSE CLAMP CV140K
35	NE1221	TASSELLO EFPM M6	EFPM DOWEL M6
36	NE1222	VITE SV.EI PIANA M6X50 UNI5933	FLAT COUNTERSUNK HEX HEAD SCREW M6X50 UNI5933
37	PNEC00109	KIT CABLAGGIO PC800 M31	WIRING KIT PC800 M31
38	PNEC00104	SDOPPIATORE TELEFONICO RJ12	TELEPHONE SPLITTER RJ12
39	PNEM00016	ASSIEME CENTRALINA [ARIA] + ANTENNA M31	CONTROL UNIT ASSEMBLY [AIR] + ANTENNA M31
40	PNEC00127	CAVO RJ12 6P6C - Lg = 3 m	CABLE RJ12 6P6C - Lg = 3 mm
41	55007-KIT	INTER.POLYSNAP BZ01001/S+FUSIB	INTER.POLYSNAP BZ01001/S+FUSIB
42	10E00135N-BLK	CORNICE FRONTALE VERNICIATA	PAINTED FRONT FRAME
43	10E00138N-BLK	CORNICE FRONTALE VERNICIATA	PAINTED FRONT FRAME
44	10E00137N-BLK	CORNICE FRONTALE	FRONT FRAME
45	PNVV00005	VITE AUTOF. TEFL M4x8 ZN NERA	SELF-TAPPING SCREW TEFL M4x8 ZN BLACK
46	10L00028N-BPK	SCURETTO	SHADOWLINE
47	10L00029N-BPK	SCURETTO	SHADOWLINE
48	89000-00-001	ASSIEME SUPPORTO TENDICAVO	CABLE TENSIONER SUPPORT ASSEMBLY
49	NE1129	VITE SV.EI PIANA M5X18 UNI5933	FLAT COUNTERSUNK HEX HEAD SCREW M5X18 UNI5933
50	NE1153	ROND.ELAS.CONVES.D.10 DIN137A	CONVEX SPRING WASHER D.10 DIN137A
51	NE1024	DADO FLANG.AUTOBL.M5 ISO7044	SELF-LOCK. FLANG.NUT M5 ISO7044
52	NE1236	VITE AUTOFORMANTE TE FL. M5x12 FOSFATATA NERA DIN7500 BN3	SELF-TAPPING HEX HEAD SCREW FL. M5x12 PHOSPHATED BLACK DIN
53	NE1220	VITE TE FL.4.8X9.5 UNI6950	HEX HEAD SCREW FL.4.8X9.5 UNI6950
54	NE1218	ROND.DENTELLATA D.6 DIN 6798	TOOTHED WASHER D.6 DIN 6798
55	NE1002	GRANO M5X10 ESLOOK P.PIATTA	GRAIN M5X10 ESLOOK P.FLAT
56	NE1087	DADO BASSO M10 ISO 4035 GREZZO	LOW NUT M10 ISO 4035 UNFINISHED
57	NE1400	VITE AUTOFORANTE TE M4.2X19	SELF-TAPPING HEX HEAD SCREW M4.2X19
58	NE1231	DADO AD ALETTE M5 UNI5448 ZN	WING NUT M5 UNI5448 ZN
59	NE1375	VITE AUTOFORMANTE TE FL. M5x16 FOSFATATA NERA DIN7500 BN3	SELF-TAPPING HEX HEAD SCREW FL. M5x16 PHOSPHATED BLACK DIN
60	NE1041	VITE TCEI M6X10 ZN NERA	HEXAGON SOCKET HEAD CAP SCREW M6X10 ZN BLACK

Nomenclature des pièces détachées / Exploded view

JØTUL PC 801



61	NE1308	VITE ST.4,5X25 DIN7982C	SELF-TAPPING SCREW 4/5X25 DIN7982C
62	NE1071	RONDELLA D. 6X24X2 ZNN	WASHER D. 6X24X2 ZNN
63	NE1271	GRANO M5X16 P.PIATTA UNI5923	RAIN M5X16 P.FLAT UNI5923
64	NE1124	ROND.PIANA 5X15 UNI 6593	FLAT WASHER 5X15 UNI 6593
65	PNEB00004	FERMACAVO A CHIUSURA DALL'ALTO 10695AA00	TOP-LOCKING CABLE HOLDER 10695AA00
66	NE1188	VITE TE FL. M5X12 DIN 6921	HEX HEAD SCREW FL. M5X12 DIN 6921
67	40B00008N	CAPPUCCIO SILICONE KAP 204 4,50x15x25	SILICONE CAP KAP 204 4.50x15x25
68	11J00198N	SUPPORTO SPLITTER DISPLAY	DISPLAY SPLITTER SUPPORT
69	PNEH00004	LINGUETTA PER MESSA A TERRA	EARTHING TAB
70	PNED00012	DISPLAY M31 + CAVO RJ12	DISPLAY M31 + CABLE RJ12
71	NE1126	DADO M5 UNI5588 ZN BIANCO	NUT M5 UNI5588 ZN WHITE
72	08X00127A	ASSIEME TRAMOGGIA E CARICAMENTO PELLET	HOPPER ASSEMBLY AND PELLET LOADING
73	PNSS00002	SONDA AD ANGOLO IN RYTON	RYTON CORNER PROBE
74	NE1079	VITE AUTOFILET.3.9X9,5 DIN7981	SELF-TAPPING SCREW 3.9X9.5 DIN7981
75	PNSS00004	RACCORDO A "Y" PORTAGOMMA PG5	RUBBER SUPPORT "Y" FITTING PG5
76	PNSS00005	FILTRO ARIA 240 micron PER SCHEDA M31	AIR FILTER 240 microns FOR M31 BOARD
77	PNGS00006	TUBO SILICONE BIANCO Ø6 est. x Ø3,5 int - lg = 800 mm	WHITE SILICONE PIPE Ø6 ext. x Ø3.5 int - lg = 800 mm
78	PNGS00006	TUBO SILICONE BIANCO Ø6 est. x Ø3,5 int - lg = 1500 mm	WHITE SILICONE PIPE Ø6 ext. x Ø3.5 int - lg = 1500 mm
79	PNGS00005	TUBO SILICONE ROSSO Ø6 est. x Ø3,5 int - lg = 350 mm	RED SILICONE PIPE Ø6 ext. x Ø3.5 int - lg = 350 mm
80	PNVS00003	RIVETTO PLASTICA NERA 9x5,5 (9725AA01)	BLACK PLASTIC RIVET 9x5.5 (9725AA01)
81	PNES00008	SONDA AMBIENTE NTC, L=1000mm CON CONNETTORE STOCKO	NTC ROOM PROBE, L=1000mm WITH STOCKO CONNECTOR
82	PNES00009	SONDA FUMI J, L=1000mm SENZA CONNETTORE	FLUE GAS PROBE J, L=1000mm WITHOUT CONNECTOR

Nomenclature des pièces détachées / Exploded view

JØTUL PC 801

